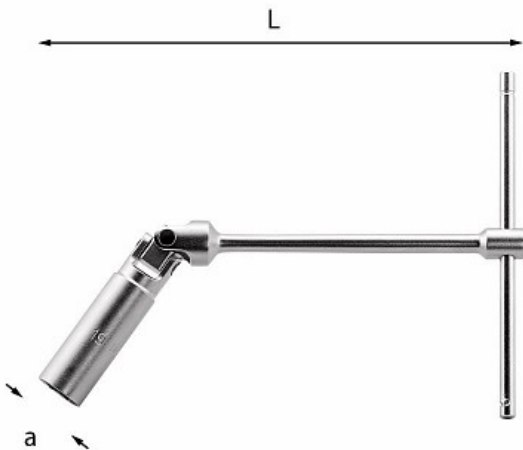


T-HANDLE SPARK PLUG WRENCHES WITH JOINTED SOCKET



278 N

ISO 11168

- Hexagonal opening
- Rubber gasket for retaining the spark plug
- Removable sliding bar

Family details

Code	Hexagonal opening mm	a mm	L mm	Quantity for packaging
U02780011	16	22	270	1
U02780013	18	25	270	1
U02780014	19	25	270	1
U02780015	20,8	26	270	1

Sets / Compositons

Stanley Black & Decker Italia S.r.l.

Sede legale: Via Energy Park 6 - 20871 Vimercate (MB)
 Sede operativa: Via Volta 3 - 21020 Monvalle (VA) Italia
 Partita IVA e C.F.: 03225990138

StanleyBlack&Decker

Società a Socio Unico soggetta a coord. e controllo da parte di Stanley Black & Decker, Inc.
 Capitale Sociale I.V. € 12.000.000

Articles



496 B1 - Assortment for car repair (87 pcs.)



496 B5 - Assortment for car repair (118 pcs.)



630 BN - Roll-up bag for motorcycle maintenance (20 pcs.)



630 CN - Roll-up bag for car maintenance (18 pcs.)

Spare parts

Articles



278 A - Spare gasket